



"FOLGARIDA" WAISTCOAT

SINERGIA yarn

YARN
ADRIAFIL YARNS

MATERIALS

- 300 g. **Sinergia** yarn in colour no. 49
- knitting needles nos. 41/2 and 51/2
- tapestry needle

SIZE: 42 (44-46)

PATTERN STITCHES

K1/p1 rib stitch
Knitted stitch
Purled stitch

GAUGE

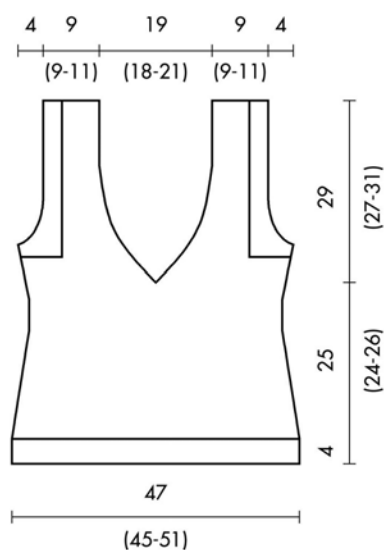
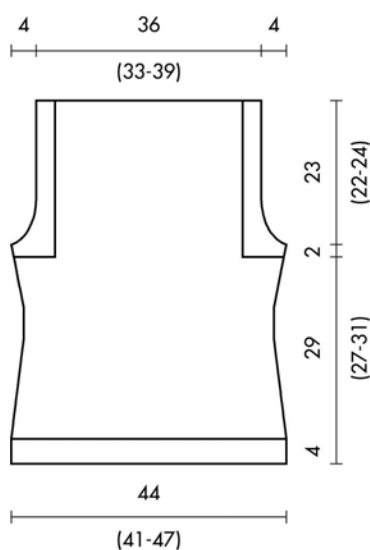
10x10 cm. using knitting needles no. 51/2 work in knit stitch. = 15 sts. and 20 rows.

WORKING INSTRUCTIONS

Back: with knitting needles no. 51/2 cast on 77 (73-82) sts., and for the border, work in k1/p1 rib st. for a length of 4 cm. Cont. in knit stitch. decreasing 12 sts. evenly in the first row. To shape the sides decr. at ends, inside 3 sts., 1 st. every 10 rows, 3 times; when work measures 17 cm. from border incr. at ends, inside 3 sts., 1 st. every 6 rows, 3 times. When work measures 29 (27-31) cm. from border, to work the border of the armholes work the first and last 9 sts. in k1/p1 rib st. keeping the work in knit stitch. over all the rem. sts.. When work measures 31 (29-33) cm. from border, to shape the armholes cross off at ends 2 sts., then decr., inside the first and last 7 sts., 1 st. every 2 rows 4 times. When work measures 23 (22-24) cm. from beg. of the armholes cross off the 53 (49-58) rem. sts.

Front: with knitting needles no. 51/2 cast on 81 (77-86) sts. and work the border in same way as back. Cont. in knit stitch. decreasing 10 sts. evenly in the first row. At ends shape the sides in same way as back. When work measures 25 (24-26) cm. from border, to shape the neckline cross off the 7 (7-8) centre sts. and end the two parts separately; decr. centrewise, inside 2 sts., 1 st. every 4 rows 11 (10-12) times. At the same time, when work measures 29 (27-31) cm. from border work the edges of the armholes and, after 2 cm., shape the armholes in same way as back. When work measures 24 (22-26) cm. from beg. of the neckline incr. at ends, inside the first and last 7 sts., 1 st. every 4 rows twice. When work measures 29 (27-31) cm. from beg. of the neckline cross off the 17 (16-18) rem. sts. for each shoulder.

Pockets: with knitting needles no. 51/2 cast on 5 sts. and work in purl st. At ends incr., every 2 rows, 2 sts. 3 times, 1 st. When work measures 11 cm., for the border cont. in k1/p1 rib st. increasing 2 sts. in row 1. When work measures 2 cm. from beg. del border, cross off all the sts. Work 2 identical pockets.



MAKE UP AND FINISH

Sew up a shoulder. With knitting needles no. 41/2 pick up 70 (65-75) m. along the right side (when worn) of the front neckline (excluding the 7 crossed off centre sts.) to the middle of the back neckline and work in knit stitch.; after 4 rows stand off on right of work, every 2 rows, 12 sts., 8 sts., 6 sts. twice. When work measures 6 cm. pick up work over all the sts., cont. in k1/p1 rib st. for 2 rows, then cross off all the sts. Sew up the other shoulder. Work the left part of neck to match the right part. Join the edges of neck at the back in the middle. Sew up the side edges at the base of the neckline. Sew on the pockets, slightly off centre (see picture), at the middle of the front 3 cm. from waistband spaced at about 9 (8-10) cm.