

PAG 25 BOLERO "CEYLON"



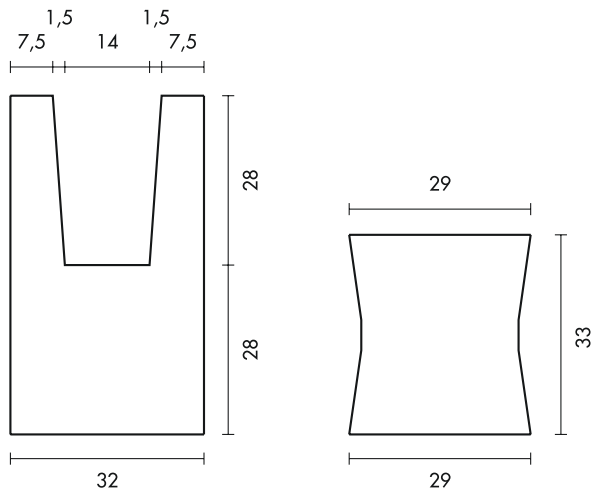
YARN
ADRIAFIL YARNS

MATERIALS
250 g **Nature** yarn in shocking Pink N° 31
Crochet hook N° 3.50
Tapestry Needle

AGE: 6 years

PATTERN STITCHES

Chain stitch
Single crochet
Double crochet
Treble stitch
Double treble stitch
Fan stitch pattern: follow the chart



GAUGE

10x10 cm worked in fan stitch with crochet hook N° 3.50 = 17 sts. and 7.5 rows.

WORKING INSTRUCTIONS

Back, right and left fronts: work as a single piece starting from the back. Cast on a chain of 58 sts. and work in fan stitch following the chart. When work measures 28 cm, to shape the neckline stand off work over 23 centre sts (corresponding to 3 and a half motifs) and end the two parts separately; decr. centrewise (front button sides) 1 st every 6 rows 3 times. When work measures 28 cm. from beg. of neckline, break off and bind the yarn.

Right sleeve: work starting from top. Sew up right shoulder. Work directly in the edge of the back and front, over the 29 cm at the centre, as follows: work 24 sts on side of back, 1 st. at shoulder, 24 sts. on side of front. Work in fan stitch decreasing at ends 1 st every 2 rows 6 times. When work measures 17 cm., incr. at ends 1 st every 2 rows 6 times. When work measures 33 cm., work the border as follows: 1 dc, * in next tr., 6 trs, in the space of 2 chs of the next fans, 1 dc *, rep. from * to *.

Break off and bind the yarn.

Left sleeve: sew up the left shoulder and work in same way as right sleeve.

MAKING UP AND FINISH

Sew up the seam from cuff to side. Trim the neckline, the button sides and bottom of the bolero in same way as described for sleeves.

