

SHOULDER SHRUG “BOUGANVILLE”

yarn *JASMINE*

MATERIAL
 ADRIAFIL YARNS

MATERIALS REQUIRED
 300 g. **Jasmine** Yarn in colour no. 82. Knitting needles no. 8. Crochet hook no. 5.50. Tapestry needle.

Size: uni-size

PATTERN STITCHES

Rib stitch (to end)
 Eyelet stitch (work over an even number of stitches):

Row 1: k1, * 1 yo, slip 1, knit 1, pass slipped stitch over *, rep. from * to *, k1

Row 2 and all succ. even rows: purl.

Row 3: k1, * k2 tog., 1 yo *, rep. from * to *, k1

Row 5: rep. from row 1.

Stock stitch to end the rib.

Chain stitch

Popcorn: in the same base st. work 5 double-treble crochets worked tog.

GAUGE

10x10 cm. work with knitting needles no. 8 in eyelet st. = 10.5 sts. and 18 rows.

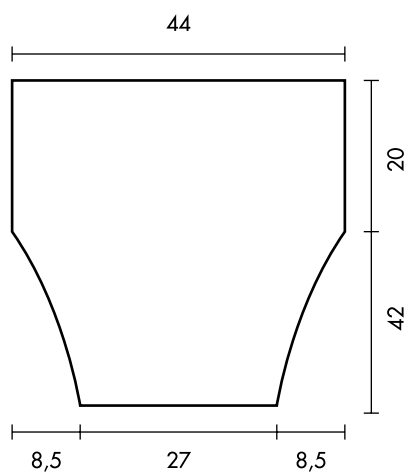
WORKING INSTRUCTIONS

Right section: with the knitting needles cast on 28 sts. and work in eyelet st. When work measures 7 cm. from beg. of work incr. at ends 1 st. every 6 rows twice, 1 st. every 4 rows twice, 1 st. every 2 rows 5 times. Cont. without variations until work measures 43 cm. from beg. of work, then bind off stitches

Left section: work in same way as right section.

MAKE UP AND FINISH

Join the two sections along the 44 cm. side (binding off edge). With the knitting needles pick up 37 sts. along the 40 centre stitches of one side (right side edge); work 3 rows in rib st., then graft stitches with tapestry needle. Trim in the same way the 40 the centre stitches on the opposite edge. Sew the under-arm up to the ribbing. With crochet hook work the buttoning strings as follows: work 1 45 cm chain then work 1 popcorn; break off and bind the yarn. Make 2 identical cords. Join the buttoning strings along the front edge at 10 cm from the seam of the sleeves.



Filato/Yarn
Jasmine

