

“GAIA” TWIN SET



yarn *SPICE*

MATERIALS ADRIAFIL YARNS

TOP

MATERIALS REQUIRED

200 G. yarn **Spice** pink no. 23. Knitting needles no. 4. Crochet hook no. 3.00. 240 cm 240 pink organza ribbon (width 2 cm.). 60 cm of elastic band with silver paillettes. Tapestry needle with rounded tip.

SIZE: IT 40 (42-44) - US 6 (8-10) - UK S (M-L)

PATTERN STITCHES

Knitted stitch
Chain stitch
Single crochet
Double crochet
Treble crochet
Double-treble crochet

GAUGE

10x10 cm. with knitting needles no. 4 in knitted st. = 21 sts. and 28 rows.

WORKING INSTRUCTIONS

Back: using knitting needles no. 4 cast on 31 (39-47) sts. and work in knitted st. increasing at the ends 3 sts. every 2 rows 5 times. To shape the sides decr. at ends 1 st. every 12 rows twice; when work measures 18 (20-22) cm. from beg. incr. at ends 1 st. every 6 rows twice. When work measures 27 (30-33) cm. from beg., bind off all the stitches.

Front: work like the back until work measurs 27 (30-33) cm. from beg. To shape the upper edge, bind off at ends 3 sts. every 2 rows 5 times, then bind off the rem. stitches.

MAKE UP AND FINISH

With the crochet hook trim all the edges of the back as follows: start at the base of the right side and work: * 2 double trs., 2 chs., skip 2 sts. *, rep. from * to *; cont. along the upper edge and work: * (1 tr., 2 chs., skip 2 sts.) twice, in the next st. work 2 trs., 2 chs. and 2 trs.; (2 chs., skip 2 sts., 1 tr.) twice *, rep. from * to *; cont. along the left side and work in same way as right side, then cont. along the bottom edge and work in same way as for upper edge. At the end of the row, turn work over and cont. only along the bottom edge as follows:

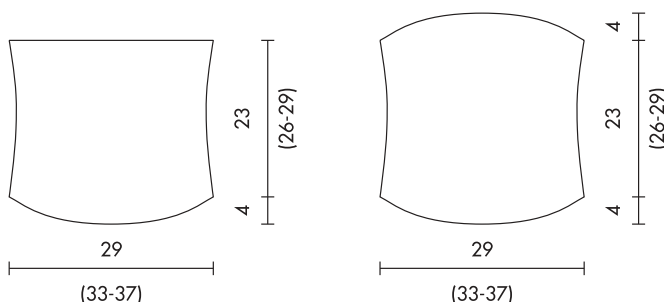
Row 1: 1 tr. in the first space, 2 chs., 1 tr. in the next space, * 2 trs. in the tr. in the next space work 2 trs., 2 chs. and 2 trs.; 2 trs. in the trs, 2 chs., skip the next space, 1 tr. in the next space, 2 chs. *, rep. from * to *, 1 tr. in the last st.

Row 2: 3 chs., skip the next space, * 4 trs. in the tr. in the next space work 2 trs., 2 chs. and 2 trs.; 4 trs. in the trs., 1 chain *, rep. from * to *, 1 tr. in the last st.

Break off and bind the yarn.

Trim the upper edge in the same way.
Trim the front in the same way joining with 1 sc. the double-trebles of the trim of each side at the corresponding double-trebles of the trim of each back. Braid in the elastic band with beads between the spaces of the 1st row of the trim of the upper edge. Cut the organza ribbon in two equal parts, and zig-zag them into the spaces of the trim on each end of the sides then knot them at the base making a bow.

Top pattern



SKIRT

MATERIALS REQUIRED

350 g. yarn **Spice** pink no. 23. Knitting needles no. 4. Crochet hook no. 3.00. Tapestry needle with rounded tip.

SIZE: IT 40 (42-44) - US 6 (8-10) - UK S (M-L)

PATTERN STITCHES

Knitted stitch
Chain stitch
Single crochet
Double crochet
Treble crochet
Double-treble crochet
Crab stitch: work like a double crochet from left to right.

GAUGE

10x10 cm. with knitting needles no. 4 in knitted st. = 21 sts. and 28 rows.

WORKING INSTRUCTIONS

Back: using knitting needles no. 4 cast on 88 (94-100) sts. and work in knitted stitch. To shape the sides decr. at ends 1 st. every 20 rows 4 times, 1 st. every 10 rows 4 times, 1 st. every 8 rows twice. When work measures 60 (63-66) cm. from beg. bind off all the stitches.

Front: work in the same way as back.

MAKE UP AND FINISH

Sew up the sides. With the crochet hook trim the bottom edge as follows:

Rows 1 and 2: in double crochet.

Row 3: * (1 tr., 2 chs., skip 2 sts.) twice, in the next st. work 2 trs., 2 chs. and 2 trs.; (2 chs., skip 2 sts., 1 tr.) twice *, rep. from * to *.

Row 4: 1 tr. in the first space, 2 chs., 1 tr. in the next space, * 2 trs. in the tr. in the next space work 2 trs., 2 chs. and 2 trs.; 2 trs. in the trs., 2 chs., skip the next space, 1 tr. in the next space, 2 chs. *, rep. from * to *, 1 tr. in the last st.

Row 5: 3 chs., skip the next space, * 4 trs. in the tr. in the next space work 2 trs., 2 chs. and 2 trs.; 4 trs. in the trs., 1 chain *, rep. from * to *, 1 tr. in the last st.

Break off and bind the yarn.

With the crochet hook trim the upper edge as follows:

Rows 1 and 2: in double crochet.

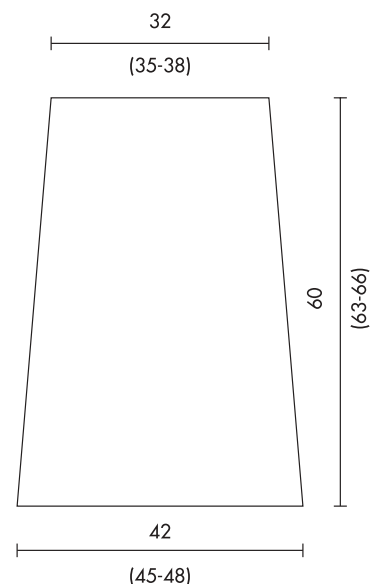
Row 3: * 2 trs., 2 chs., skip 2 sts. *, rep. from * to *.

Row 4: in crab stitch.

Break off and bind the yarn.

With the crochet hook work a 130 cm. chain, braid it between the spaces of row 3 of the waistband trim and knot the ends.

Skirt pattern



“GAIA” TWIN SET



yarn *SPICE*

BAG

MATERIALS REQUIRED

100 g yarn *Spice* pink no. 23. Crochet hook no. 3.00. 200 cm. pink organza ribbon (width 2 cm.).

DIMENSIONS: the diameter of the bage is 26 cm. including the edge.

PATTERN STITCHES

Chain stitch

Single crochet

Double crochet

Treble crochet

Crab stitch: work like a double crochet from left to right.

WORKING INSTRUCTIONS

Consists of two identical rounds and a border. For the first round, cast on a 5 st. chain, closing it with a 1 sc. loop and, in the loop obtained, work:

Row 1: 12 trs.; end this row and all the successive rows with 1 sc. in the initial st..

from rows 2 to 9: work in trs. increasing 12 trs every rows spaced evenly (108 sts.).

Row 10: * 2 trs., 2 chs., skip 1 st.*; rep. from * to *.

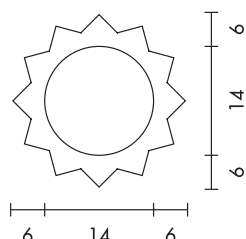
Break off and bind the yarn.

Work the second round in the same way.

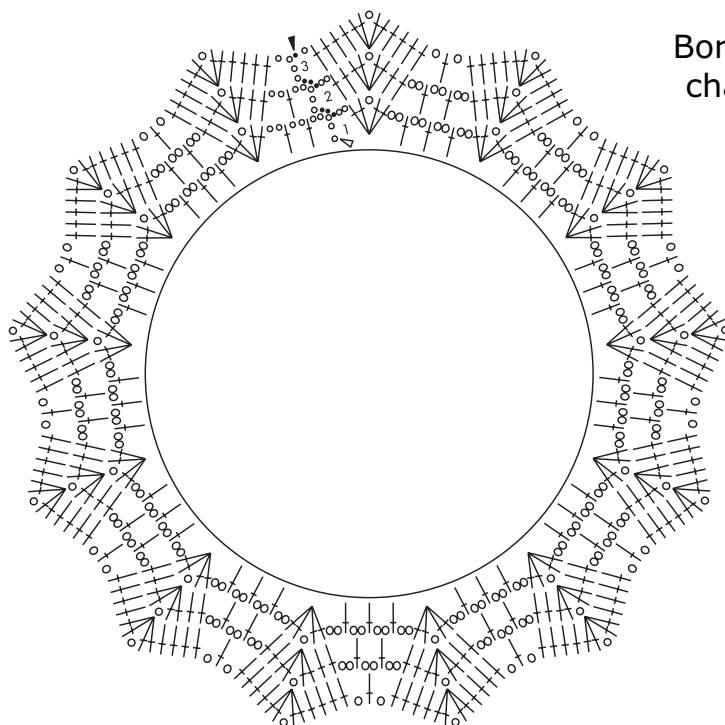
MAKE UP AND FINISH

Overlap the two rounds, right-side against right-side, and joint them along the edges with 1 row in double crochet leaving an opening of about 12 cm. (in this section, work in double crochet along the edge of only one of the two rounds, namely on the front round); without breaking off yarn, work the trimming edge following the chart (in the section of the opening, work only on the front round). Once completed, trim the edges in crab stitch, then break off and bind the yarn. For the shoulder strap, work a 111 st. chain and work: 1 dc., * 5 chs., skip 4 sts., 1 dc. *, rep. from * to *; turn work over and work 6 sts. in each loop of the first side; at end of row, turn work over and cont. on the other side of the loops like the first side. Sew the shoulder strap at the ends of the bag opening. Braid in the organza ribbon between the spaces of the last row of the two joined rounds (in the section of the opening, braid in the ribbon only in the back round); braid in the ribbon into the spaces of the first row of the edge. Fold the remaining ribbon in half and sew to at the centre of the edge, by the opening, passing it at the centre of the back opening to make a ribbon.

Bag pattern



Border chart



- = chain
- = single crochet
- † = treble
- ∇ = start of work
- ▼ = end of work