

OUTFIT "GIULIA"



MATERIAL ADRIAFIL YARNS

BERET

MATERIALS REQUIRED

100 g. di Kid Mohair yarn in cream no. 11 working yarn wound four times. Crochet hook no. 4.00.

DIMENSIONS: out beret circumference : 78 cm. and inner circumference (opening) 44 cm.

PATTERN STITCHES

Chain stitch
Single crochet
Double crochet
Half Treble
Treble crochet
Reverse stitch: work as dc. from left to right

GAUGE

10 x 10 cm. with crochet hook no. 4.00 in tr. working in rounds = 14 sts. and 7.5 rows.

WORKING INSTRUCTIONS

Work in rounds starting at the top. With crochet hook no. 4.00 and the yarn wound four times cast on a chain of 5 sts., ending with a 1 sc. loop in the 1st chain and, in the loop obtained, work :

Row 1: 13 trs. (repl. the 1st tr. of each row with 3 ch.); end this row and all the next rows with 1 sc. in the initial st.

Row 2: 2 tr. in each st. below

Row 3: * 1 tr. into the next tr., 2 tr. in the next st. *, rep. from * to *

Row 4: * 1 tr. in each of the next 2 tr., 2 tr. into the next tr. *, rep. from * to *

Row 5: * 1 tr. in each of the next 3 tr., 2 tr. into the next tr. *, rep. from * to *

Rows 6, and 7: in tr. increasing in each row 4 sts. spaced evenly .

Row 8: in tr. increasing 6 sts. spaced evenly .

Row 9: in tr. increasing 3 sts. spaced evenly .

Rows 10, 11, 12 and 13: 1 tr. in each st. below

Row 14: in tr. spacing 15 dec. evenly (= work 2 tr. closed tog.)

Row 15: 1 double tr. in each tr. below

Rows 16, 17, 18 and e 19: 1 dc. in each st. below

To work the peak cont. only over the next 30 sts. working back and forth in dc. and decreasing at the sides, 1 st. every 2 rows. At 10 rows from beg. of peak, cont. in double tr. increasing at the sides, 1 st. every 2 rows; after 8 rows, without breaking off the yarn trim all the edges in reverse st. folding peak in half inwards into the beret.

SCARF

MATERIALS REQUIRED

100 g. Kid Mohair in cream no. 11. Knitting needles no. 5. Crochet hook no. 3.50.

N.B. Work with single thread for knitted stitch pattern and with yarn doubled for the trim.

DIMENSIONS: scarf measures 53x202 cm., including trim

PATTERN STITCHES

Knitted stitch
Chain stitch
Double crochet
Treble crochet

GAUGE

10 x 10 cm. with knitting needles no. 5 in knitted st. = 15 sts. and 19 rows

WORKING INSTRUCTIONS

With knitting needles no. 5 and the yarn worked single cast on 80 sts. and work in knitted st. When work measures 190 cm. from beg., bind off the stitches loosely.

MAKE UP AND FINISH

With crochet hook no. 3.50 and the yarn worked doubled trim the short edges as follows:

Row 1: in dc.

Row 2: into 1st stitch work 1 tr. (repl. the 1st tr. of each row with 3 ch.), 2 ch. and 1 tr.; * (2 ch., skip 2 sts., 1 tr. in the next st.) 3 times, 2 ch., skip 2 sts., in the next st. work 2 tr., 2 ch. and 2 tr.; *, rep. from * to * distributing the stitches so as to work symmetrically, in other works with 1 tr., 2 ch. and 1 tr. work in the same base stitch.

Row 3: 1 tr. into 1st st., in the 1st space of 2 ch. work 2 tr., 1 tr. into the next tr., * 2 ch., skip next tr. and space, 1 tr. in the next space, 2 ch., skip the next tr., 1 tr. in the next space, 2 ch., skip the next space and tr., 1 tr. in each of the next 2 tr., in the space of 2 ch. between the next groups of 2 tr. work 2 tr., 2 ch. and 2 tr.; 1 tr. in each of the next 2 tr., rep. from * to *; 2 ch., skip next tr. and space, 1 tr. in the next space, 2 ch., skip the next space and tr., 1 tr. into the next tr., 2 tr. in the next space, 1 tr. in the last st.

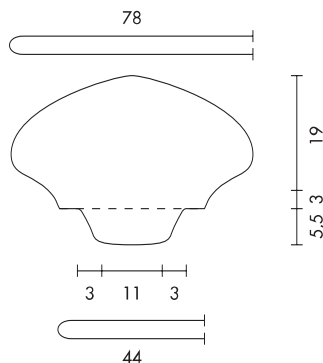
Row 4: 2 tr. into 1st st., 2 tr. into the next tr., 1 tr. in each of the next 2 sts., * 2 ch., skip next tr. and space, 1 tr. in the next space, 2 ch., skip the next space and tr., 1 tr. in each of the next 4 trs., in the space of 2 ch. between the next groups of 2 tr. work 2 tr., 2 ch. and 2 tr.; 1 tr. in each of the next 4 trs. *, rep. from * to *; 2 ch., skip next tr. and space, 1 tr. in the next space, 2 ch., skip the next space and tr., 1 tr. in each of the next 2 tr., 2 tr. in each of the next 2 tr.

Row 5: 2 tr. into 1st st., 1 tr. in each of the next 5 sts., * 2 ch., skip the space, the next space and tr.; 1 tr. in each of the next 6 trs., in the space of 2 ch. between the next groups of 2 tr. work 2 tr., 2 ch. and 2 tr.; 1 tr. in each of the next 6 trs. *, rep. from * to *; 2 ch., skip the space, the next space and tr.; 1 tr. in each of the next 5 trs., 2 tr. in the last st.

Row 6: 2 tr. into 1st st, 1 tr. in each of the next 6 sts., * 1 tr. in each of the next 8 trs., in the space of 2 ch. between the next groups of 2 tr. work 2 tr., 2 ch. and 2 tr.; 1 tr. in each of the next 8 trs. *, rep. from * to *; 1 tr. in each of the next 6 trs., 2 tr. in the last st.

Break off and bind the yarn.;

Beret pattern



Scarf model

