

# OUTFIT "STELLA"



## MATERIAL ADRIAFIL YARNS

### HAT MATERIALS REQUIRED

100 g. Planet yarn in colour no. 46. Knitting needles no. 5 and no. 6. Tapestry needle with rounded tip.

**DIMENSIONS:** the hat circumference is 45 cm.

### PATTERN STITCHES

Elastic rib (start)  
Rib stitch 2/2  
Knitted stitch

### GAUGE

10 x 10 cm. with knitting needles no. 6 in knitted st. = 12 sts. and 16 rows.

### WORKING INSTRUCTIONS

Work in a single piece. With knitting needles no. 5 cast on 70 sts. and work in elastic rib for 2 rows, then in rib st. 2/2. When work measures 3.5 cm. from beg., cont. with knitting needles no. 6 in knitted st. decreasing 16 sts. spaced evenly in the 1st row. When work measures 12 cm. from the edge, distribute 18 dec.; after 4 rows dec. 9 sts. and after another 4 rows knit the sts. in twos together. Cut off yarn leaving a long length of yarn.

### MAKE UP AND FINISH

Pass the yarn through the standing stitches, pulling it firmly to draw the stitches together, then fasten the yarn on back and, with the same length of yarn, sew up the sides of the hat.

## SCARF

### MATERIALS REQUIRED

200 g Planet yarn in colour no. 46. Knitting needles no. 9. Tapestry needle with rounded tip.

**DIMENSIONS:** the scarf measures 27x167 cm. fringe included

### PATTERN STITCHES

English rib stitch (work work over an even no. of stitches):

**Row 1:** knitted stich.

**Row 2:** k1, \* k1, 1 double st. (= k1 but pointing needle into the st. 2 rows under the st. to work) \*, rep. from \* to \*, k1

**from row 3:** rep. row 2.

### GAUGE

10 x 10 cm. with knitting needles no. 9 in English rib stitch = 7,5 sts. and 18 rows.

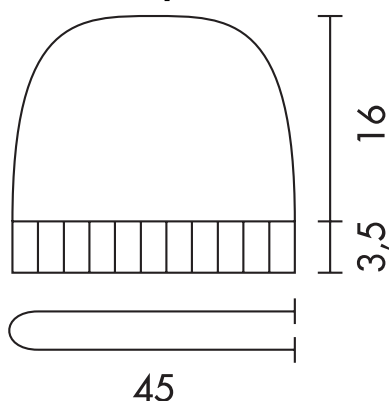
### WORKING INSTRUCTIONS

with knitting needles no. 9 cast on 20 sts. and work in English rib st. When work measures 137 cm. from beg., bind off the stitches loosely.

### MAKE UP AND FINISH

Trim the short edges with the fringes as follows: cut off 30 cm lengths of yarn joining them in groups of 3; fold in half and work into the edge sts. with a crochet hook and knot to fasten. Work in a fringe every 3 edge stitches. Even off fringe with pair of scissors if necessary.

## Hat pattern



## Scarf pattern

