

OUTFIT "LULÙ"



MATERIAL ADRIAFIL YARNS

HAT

MATERIALS REQUIRED

100 g. **Candy** yarn in skyblue no. 21. Crochet hook no. 6.00.

DIMENSIONS: the hat circumference is 56 cm.

PATTERN STITCHES

Chain stitch
Single crochet
Treble crochet
Reverse stitch: work as dc. from left to right.

GAUGE

10 x 10 cm. with crochet hook no. 6.00 in tr. and chain st. in rounds = 8.5 sts. and 5 rows.

WORKING INSTRUCTIONS

Work in rounds starting at the top. With crochet hook no. 6.00 cast on a chain of 5 sts., ending with a 1 sc. loop in the 1st chain and, in the loop obtained, work:

Row 1: 12 tr. (repl. the 1st tr. of each row with 3 ch.); end this row and all the next rows with 1 sc. in the initial st.

Row 2: 1 tr. and 1 ch. in each st. below

Row 3: 1 sc. into 1st st., * in the space of the next 1 ch. work 2 tr. and 1 ch.; 1 ch., 1 tr. in the space of the next 1 ch., 1 ch. *, rep. from * to *

Row 4: 1 sc. into 1st st., * in the space of the next 1 ch. work 2 tr. and 1 ch.; (1 ch., 1 tr. in the space of the next 1 ch.) twice, 1 ch. *, rep. from * to *

Row 5: 1 sc. into 1st st., * in the space of the next 1 ch. work 2 tr. and 1 ch.; (1 ch., 1 tr. in the space of the next 1 ch.) 3 times, 1 ch. *, rep. from * to *

Row 6: 3 chains, * 1 tr. in the space of the next 1 ch., 1 ch. *, rep. from * to *

Row 7: * 1 tr. into the next tr., 1 tr. in the space of the next 1 ch. *, rep. from * to *

Rows 8 and 9: 1 tr. in each st. below

To work the left earflaps, cont. working back and forth only over the next 12 sts. and work 1 tr. in each st. below decreasing at the sides, 1 st. every 2 rows; at 4 rows from beg. of the earflap, break off and bind the yarn.

To work the second earflap, skip 9 sts. (= back centre), hook the yarn in the 10th st., and work 12 tr.; finish in the same way as right earflap. At end of work, without breaking off the yarn, trim all the edges in reverse st.

SCARF

MATERIALS REQUIRED

200 g **Candy** yarn in skyblue no. 21. Knitting needles no. 9.

DIMENSIONS: length of scarf including fringe is 156 cm.

N.B. Openwork stitch tends to slant; the width of the scarf measured slantwise (namely in working direction) is 24 cm.; the horizontal width is 19 cm. when finished.

PATTERN STITCHES

Openwork stitch (work work over an even no. of stitches):

Row 1: knitted stich.

Row 2: k1, * yo, slip 1, k1, pass slipped stitch over *, rep. from * to *, k1

Row 3: rep. from row 1.

GAUGE

10 x 10 cm. with knitting needles no. 9 in openwork st. = 7.5 sts. and 11 rows.

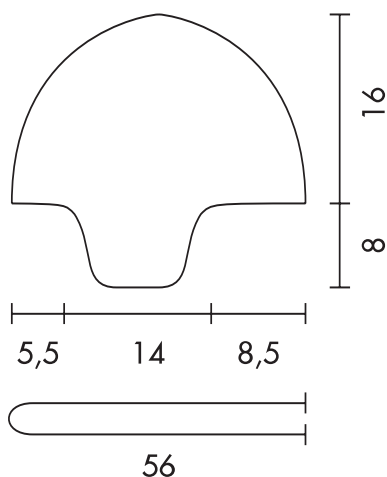
WORKING INSTRUCTIONS

With knitting needles no. 9 cast on 18 sts. and work in openwork st. When work measures 122 cm. from beg., bind off the stitches loosely.

MAKE UP AND FINISH

Trim the short edges with fringes as follows: cut 35 cm. lengths of yarn and join them in twos, fold in half, and work into the edge sts. with a crochet hook knotting to fasten. Work a fringe into each hole formed by the openwork stitch. Even off fringe with pair of scissors if necessary.

Hat pattern



Scarf pattern

