

OUTFIT "KATIA"



MATERIALS ADRIAFIL YARNS

BERET KATIA MATERIALS REQUIRED

100 g **Jazz** yarn in colour no. 48. Crochet hooks 5.50 and no. 6.00.

DIMENSIONS: outer circumference 80 cm - inner circumference (head size) 48 cm

PATTERN STITCHES

Chain
Single crochet
Double crochet
Treble crochet
Double Treble crochet
Reverse stitch: work like double crochet, from left to right

GAUGE

10 x 10 cm with crochet hook no. 6.00 in double treble crochet in rounds = 9 sts. and 3.5 rows.

WORKING INSTRUCTIONS

Work in rounds starting from the top. With crochet hook no. 6.00 cast on a 5 st. chain, and then work a 1 sc. loop in the 1st chain, and in the loop obtained work as follows:

Row 1: 9 dc., finish this row and all the succ. rows with 1 sc. in the starting st.

Row 2: 2 double trs. (replace the 1st double tr. of each row with 4 ch.) in each st. below

Row 3: * 1 double tr. in the next double tr., 2 double trs. in the next double tr. *, rep. from * to *.

Row 4: 2 double trs. in each st. below

Row 5: 1 double tr. in each st. below

Row 6: * 1 double tr. in each of the 3 next sts., 2 double trs. in the next st. *, rep. from * to *.

Cont. with crochet hook no. 5.50.

Row 7: 1 double tr. in each st. below

Row 8: 1 tr. in each st. below

Row 9: * 1 tr. in the next st., 1 ch., skip 1 st., 1 tr. in the next st., 1 ch., skip 2 sts. *, rep. from * to *.

Row 10: 1 tr. in each treble crochet and in each space of 1 ch. below.

Row 11: 1 tr. in each st. below

1Row 2: in reverse st.

break off and bind the yarn on back of work.

SCARF

MATERIALS REQUIRED

300 g **Jazz** yarn in colour no. 48. Knitting needles no. 8.

DIMENSIONS: scarf measures 23x200 cm. including fringe

PATTERN STITCHES

Openwork stitch (total number of stitches must be a multiple of 3 + 2):

Row 1 and all nex rows: k1, * k2 tog., k1, yo *, rep. from * to *, k1

GAUGE

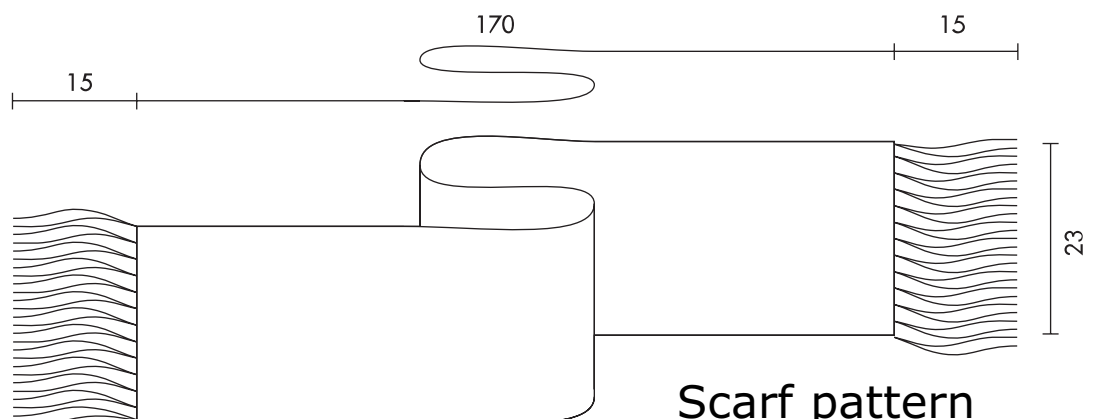
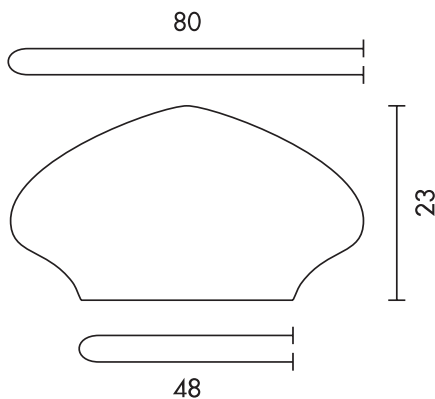
10 x 10 cm. with knitting needles no. 8 in openwork st. = 10 sts. and 16 f.

WORKING INSTRUCTIONS

with knitting needles no. 8 cast on 23 sts. and work in openwork st. When work measures 170 cm. from beg., bind off all the stitches.

MAKE UP AND FINISH

Trim the shirt edges with fringes as follows: cut off 30 cm. lengths of yarn joining them in groups of 3; fold in half and work into the edge sts. with a crochet hook, knotting to fasten. Work in one fring every 2 edge st. Even off the fringe with a pair of scissors.



Scarf pattern