

PULL "LIZ"

yarn *MEMPHIS*

YARN
ADRIAFIL YARNS

MATERIALS REQUIRED

250 g **Memphis** as follows: 50 g white no. 02 and 200 g beige no. 12, knitting needles no. 4 and no. 4 1/2, cable needle no. 4 1/2, tapestry needle.

AGE: 6 years

PATTERN STITCHES

- Elastic rib
- 2/2 rib stitch
- Stock stitch
- Garter stitch
- Large plait stitch: over 6 m.
- Row 1 and row 3: knitted stitch.
- Row 2 and uneven rows: purled stitch.
- Row 5: 6 sts inc. leftwise (= stand off 3 sts. on the cable needle in front of work, k3, work the standing sts in knitted st).
- Row 7: repeat from row 1
- Small plait stitch: over 4 sts.
- Row 1 and row 3: knitted stitch.
- Row 2 and uneven rows: purled stitch.
- Row 5: 4 sts. inc. leftwise (= stand 2 sts. on cable needle in front of work, k2, work the standing sts in knitted st).
- Row 7: repeat from row 1
- Diamond: work over 16 sts on a purled st base; follow chart noting the following:
 - 3 sts. inc. rightwise: stand 1 st on cable needle on back of work, k2, work the standing sts in purled stitch
 - 3 sts. inc. leftwise: stand 2 sts on cable needle in front of work, p 1., work the standing sts in knitted st

GAUGES

10 x 10 cm with knitting needles no. 4 1/2 in stock stitch = 19 sts and 24 rows
10 x 10 cm with knitting needles no. 4 1/2 and different stitches = 21 sts and 28 rows

WORKING INSTRUCTIONS

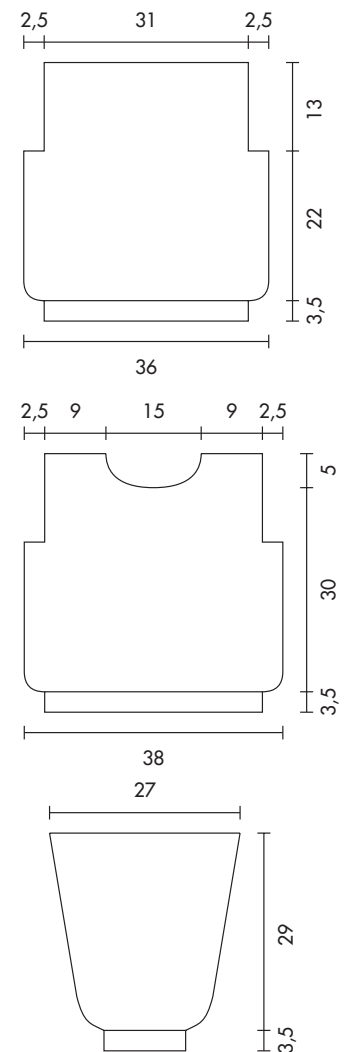
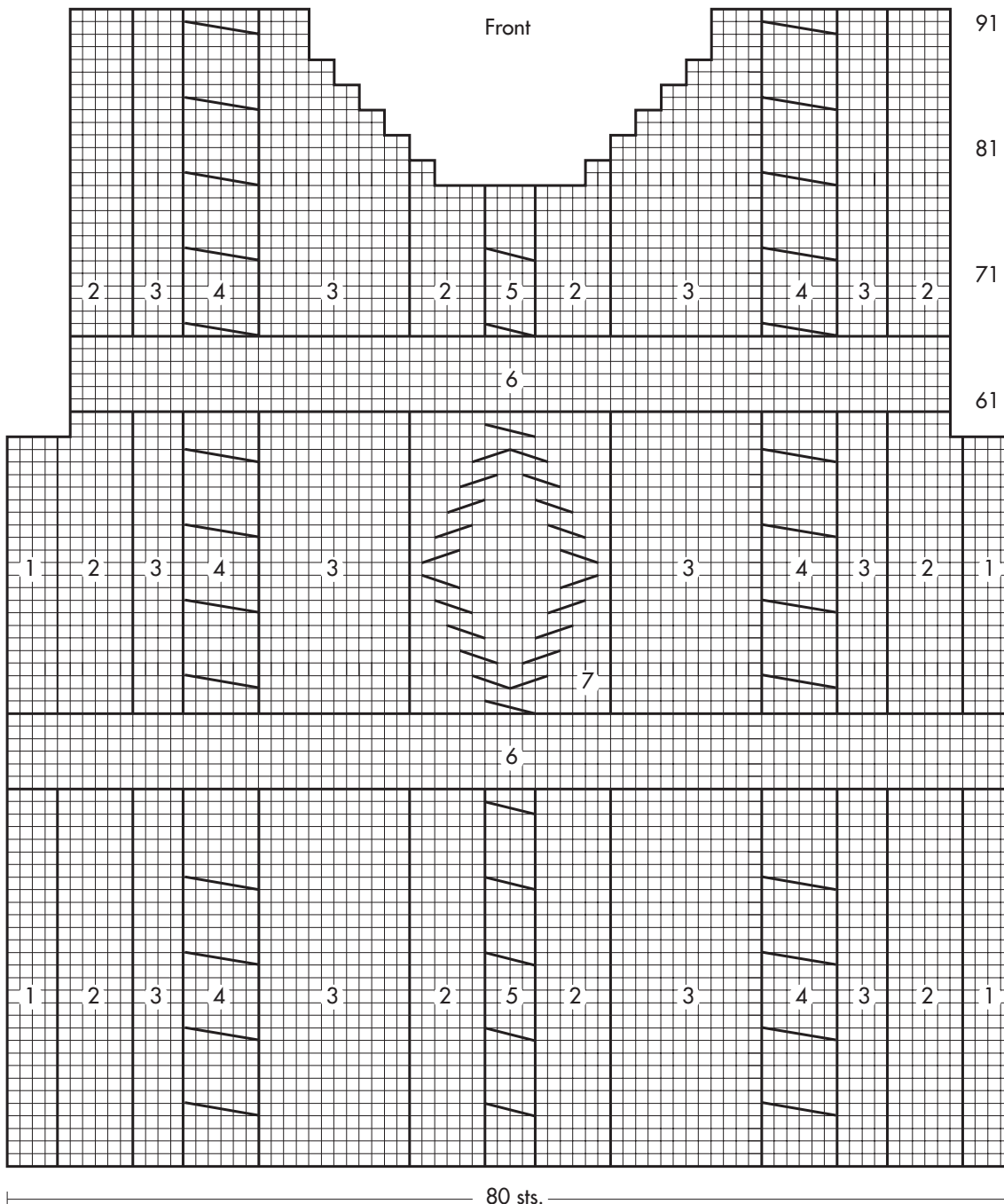
Back: With knitting needles no. 4 and the beige yarn cast on 68 sts and work 4 rows in elastic rib st, then in 2/2 rib st. When work measures 3,5 cm., cont. with knitting needles no. 4 1/2 in stock stitch. When work measures 22 cm from edge, to shape the armholes bind off on each side 5 sts. When work measures 13 cm from the armholes, bind off all the rem. stitches.

Front: With knitting needles no. 4 and the beige yarn cast on 80 sts and work 4 rows in elastic rib st, then in 2/2 rib st. When work measures 3,5 cm., cont. with knitting needles no. 4 1/2 and work following the chart. When work measures 22 cm from edge, work the armholes in the same way as back. When work measures 30 cm from edge, to shape the neckline bind off the 12 centre sts and end the two parts separately; bind off centewise 2 sts. every 2 rows 5 times. When work measures 5 cm from beg. of neckline, bind off the rem. stitches to work the shoulders.

Sleeves: With knitting needles no. 4 and the beige yarn cast on 30 sts and work 4 rows in elastic rib st, then in 2/2 rib st. When work measures 3,5 cm., cont. with knitting needles no. 4 1/2 and work in stock stitch increasing 2 sts. in row 1. On each side inc. 1 st every 6 rows 10 times. When work measures 29 cm from edge, bind off the stitches.

MAKE UP AND FINISHING

Sew on one shoulder. With knitting needles no. 4 pick up 70 sts around the neckline and work in 2/2 rib st for 2 cm; work 4 rows in elastic rib st, then trim off the stitches with the needle. Sew on the other shoulder and the sides of the neck. Join and sew on the sleeves. Sew the side seams.



- 1 = k. st.
- 2 = purl. st.
- 3 = 2/2 rib st.
- 4 = large plait st.
- 5 = small plait st.
- 6 = garter st.
- 7 = diamond
- = cross 6 sts. leftwise
- = cross 4 sts. leftwise
- = cross 3 sts. rightwise
- = cross 3 sts. leftwise