

TOP "MARINE"

yarns *LIFE AND MEMPHIS*

YARN ADRIAFIL YARNS

MATERIALS REQUIRED

450 g yarns: 200 g. **Life** blue no. 73 and 250 g. **Memphis** beige no. 12, knitting needles no. 4 and no. 5, two buttons, tapestry needle.

SIZE: 44 (42-46)

PATTERN STITCHES

Elastic rib

Jacquard stitch: work in stock stitch with different colours following the chart; pass the yarn on back of work crossing yarns at each colour change, to avoid making holes.

GAUGE

10 x 10 cm with knitting needles no. 5 in jacquard st = 22 sts. and 19 rows.

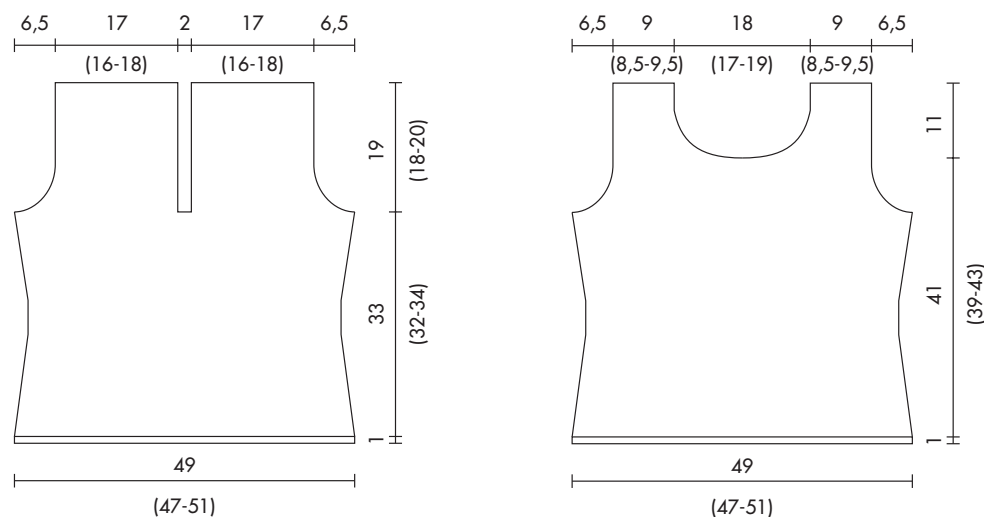
WORKING INSTRUCTIONS

Back: With knitting needles no. 5 and the beige yarn, cast on 102 (98-106) sts and work in elastic rib st for 1 cm. Cont. in jacquard st. To shape the sides dec. on each side 1 st every 8 rows 3 times; When work measures 22 (21-23) cm., inc. on each side 1 st every 10 rows 3 times. When work measures 34 (33-35) cm., to shape the armholes, bind off on each side, every 2 rows, 4 sts., 2 sts., then dec. 1 st every 2 rows 8 times. At the same time, to shape the opening bind off the 6 centre stitches and end the two parts separately. When work measures 19 (18-20) cm from beg. of opening and armholes, bind off all the rem. stitches.

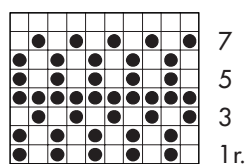
Front: Work to match back without making the opening. When work measures 42 (40-44) cm., to shape the neckline bind off the 14 (12-16) centre sts and end the two parts separately; bind off centrewise, every 2 rows, 3 sts., 2 sts., 1 st 8 times. When work measures 11 cm. from beg. of neckline, bind off the rem. stitches to work the shoulders.

MAKE UP AND FINISHING

Sew the shoulder seams. With knitting needles no. 5 and the beige yarn pick up 106 (102-110) sts around the front and back neckline and work in jacquard st; after 3 cm. cont. with knitting needles no. 4. When work neck measures 6 cm., work in elastic rib st with beige yarn for cm 0,5, then trim the stitches with the needle. With knitting needles no. 4 and the beige yarn pick up 52 (48-56) m. along the right side of the back opening (including the elastic rib edge of the neck) and work in elastic rib st for 1 cm; then trim off the stitches with the needle. Finish the left side in the same way. With knitting needles no. 4 and the beige yarn pick up 104 (100-108) sts around each armhole and work an edge like the previous. Sew the side seams. Sew in two buttonholes along of the left side of the back opening finish off in fancy stitch. Sew on the buttons opposite the buttonholes.



Jacquard chart
9r.: rep. from 1r.



Knitted stitch
□ = beige n. 12
● = blue n. 73